

# SPC - 1000 2000

## Portable Cartridge Fume Collectors

- X 1000 or 2000 Nominal CFM @5.5" G.W.**
- X 115-Volt Single Phase 1.5 or 3 HP TEFC Motor**
- X 8-Ft Cord & Switch (1000)**
- X Direct Drive Backward Inclined Airfoil Non-Overloading Fan**
- X 177/295 Sq Ft Filter Area**
- X 99% Efficiency @ .5μ**
- X 80/20 Polyester Blend Flame Retardent HEPA-Like Cartridge Filter**
- X Internal Baffle Protecting Cartridge Filter**
- X Push Button Pulse Jet Filter Cleaning**
- X Simple Tool-Free Filter Changeout**
- X Mini-helic Filter Changeout Gauge**
- X Dust Collection Drawer**
- X 10' Externally Supported 6"Ø or 8"Ø Extraction Arm**
- X 11 & 14-Gauge Heavy-Duty Metal Construction**
- X 10" Rear Wheels, 5" Front Swivel Wheels**

**Toll Free (USA)  
1-877-844-3293**

[www.industrialairsolutions.com](http://www.industrialairsolutions.com)  
[infoez@industrialairsolutions.com](mailto:infoez@industrialairsolutions.com)

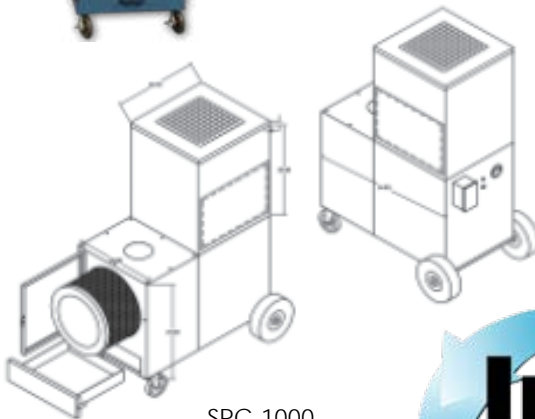
Industrial Air Solutions, Inc.  
Fax: 919-518-1667  
PO Box 90246  
Raleigh, NC 27675

This portable cartridge fume collector is designed as a cost-effective, highly efficient, alternative solution for filtering dusts, fume, smoke, gasses, and vapors.

The SPC-1000/2000 comply with OSHA standards for operations generating welding fume, dusts from grinding or sanding, and other processes.



*Optional Dual Arms*



SPC-1000  
36"L x 20"W x 53.5"H  
SPC-2000  
47"L x 20"W x 53.5"H

Typically used for control of low to moderate concentrations of dry contaminants, the SPC-1000/2000 come with economical push-button pulse-jet filter cleaning to minimize filter maintenance and reduce replacement costs.

The SPC-1000/2000 have horizontally mounted cartridges for lower center of gravity and stability.

SPC-1000/2000 Options	
HEPA Module for 99.97% Efficiency @ 0.3μ	
Carbon Module for Gas/Vapors/Odors	
Multiple Inlet Options	
Auto-Pulse or No-Pulse Filter Cleaning	
Dual Extraction Arms (SPC-2000)	
Spark Tray	

