

# SPCB-1000 2000

## Downdraft Bench Fume Collectors

- X 1000/2000 Nominal CFM @5.5" Static Pressure**
- X 115/220 Volt Single Phase 1.5 or 3 HP TEFC Motor**
- X 8-Ft Cord & Plug (1000)**
- X Direct Drive Forward Curved Blower**
- X 177/295 Sq. Ft. Filter Area**
- X 99% Efficiency @ .5µ**
- X 80/20 Polyester Blend Flame Retardent HEPA-Like Cartridge Filter**
- X Internal Baffle Protecting Cartridge Filter**
- X Push Button Pulse Jet Filter Cleaning**
- X Simple Tool-Free Filter Changeout**
- X Mini-helic Filter Changeout Gauge**
- X .9 Cubic Ft. Pullout Dust Collection Drawer**
- X Aluminum Table Top 3/4" Perforations**
- X 11 & 14-Gauge Heavy-Duty Metal Construction**
- X 10" Rear Wheels, 5" Front Swivel Wheels**
- X Table Velocity - 250 FPM**
- X Built-In Sound Attenuater**
- X Bubble Access Seal on Blower & Filter Access Doors**

**Toll Free (USA)  
1-877-844-3293**

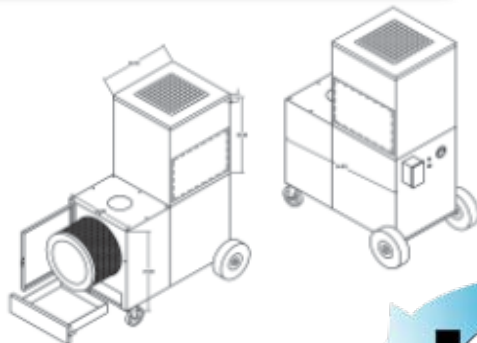
infoez@industrialairsolutions.com

## Cartridge Filtration

**I**ndustrial Air Solutions' SPCB-1000/2000, portable cartridge downdraft benches are engineered for effective, economical control of dry dusts, fume, and smoke generated from sanding, polishing, buffing, grinding and more.

Ideal for light to moderate concentrations of dry contaminants, fumes, vapors, smoke and particulate are drawn down and back—away from the operator's breathing zone.

Highly efficient cartridge filters trap particulate down to .5 microns, while pulse-jet compressed air blasts keep filters clear and operating at optimum efficiency.



*Made Completely  
in the USA!*



## Compact & Portable

The SPCB-1000/2000 are compact and portable. Topped with an aluminum surface to protect parts that cannot be scratched, SPCB-1000/2000 can support a table load of 50 pounds per square foot. The top has a back enclosure with hinged side wing panels to expand and enclose the work zone.

The SPCB-1000 offers true plug-n-go convenience, with power cord and switch for 115-volt operation standard.

Optional rubber mats are available for the placing on the table top.

### SPCB-1000/2000 Options

Exhaust-Side HEPA Module  
for 99.97% Efficiency @ 0.3µ

Carbon & Other Filter Media Available

208-230/460 Volt Motor

24" Fluorescent Light Kit

Other Work Surface Options

Non Sparking Scratch-Resistant Rubber Mat

