

# Clean Go Mobile Collectors

## Light-Duty Portable Dust Collectors Fume Extractors

- × Ultra-Low Maintenance
- × Plug-n-Go Operation
- × Nominal 1000 CFM at 5" H<sub>2</sub>O
- × 99.9% Filter Efficiency  
Down to 0.5 Microns
- × 360° Extraction Arm  
for Precise Positioning
- × Quiet 76 dBA Operation
- × 1.5HP High Pressure  
Motor Blower 120v
- × 84 Sq. Ft. Filter Area



The **CLEAN GO** is the ideal solution for self-contained source capture of light-duty weld fume and other airborne contaminants in the workplace. This portable, compact fume collector offers simple 120-volt plug-n-go convenience. The Clean Go is designed using the state-of-the-art technology in source capture and is a powerful, low-maintenance solution for even tough weld fumes.



### Versatility, Convenience

Ideal for a wide variety of intermittent duty applications, the **Clean Go** captures hazardous fumes and dust at the source from most welding applications.



The completely articulated, extendable extraction arm, capable of full 360° rotation, can be easily positioned to remove hazardous smoke and particulate before it contaminates the operator breathing zone.

Built to easily pass through standard doorways, the highly maneuverable **Clean Go** is ready to run with the flip of a switch.

- 99.9% Filter Efficiency

### OPERATION

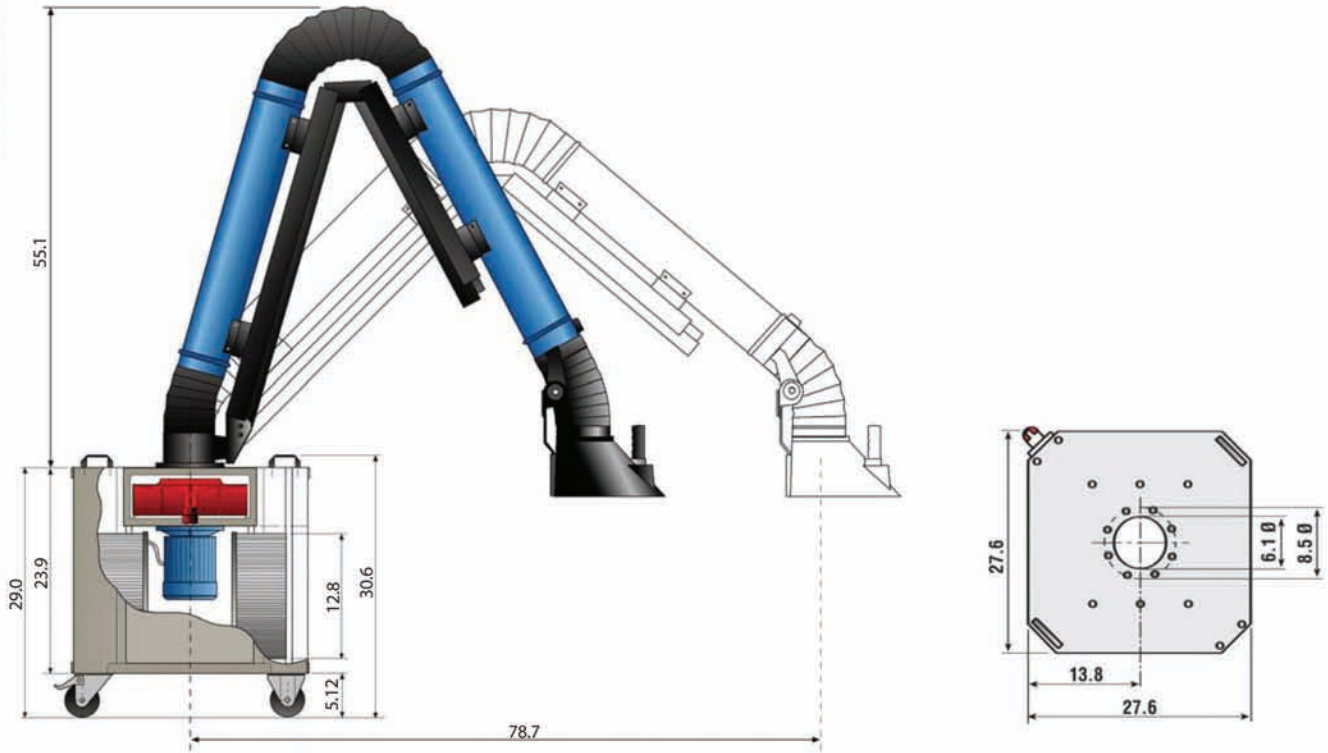
Weld fumes or other airborne contaminants are captured by the **Clean Go**, with incredible 1000 CFM airflow, and are drawn into the unit. Lighter contaminants are then captured by two high-efficiency cartridge filters followed by an activated carbon filter to absorb gases. Clean air is then returned back into the workplace.

**Toll Free (USA)  
1-877-844-3293**

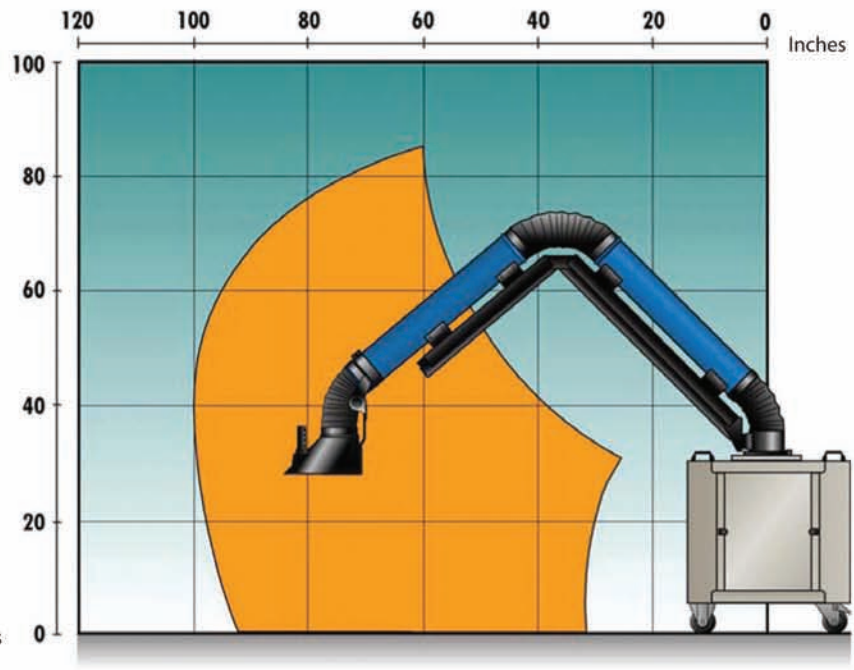
[www.industrialairsolutions.com](http://www.industrialairsolutions.com)  
[infoez@industrialairsolutions.com](mailto:infoez@industrialairsolutions.com)



# Clean Go



Working Area - 360° Arm Rotation



Clean Go	
Power	1.5 HP
Voltage	120V 60Hz 1PH 230/460V 60Hz 3PH
RPM	3400
Sound Level	76 dB (A)
Filtering area	168 Sq. ft.
Air flow at the hood with 7 foot arm	1000 cfm
Filtering efficiency	99.9%
Activated charcoal weight	5.5 Lb